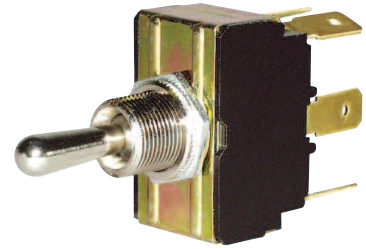


auto electrical parts

Technical Information Sheet

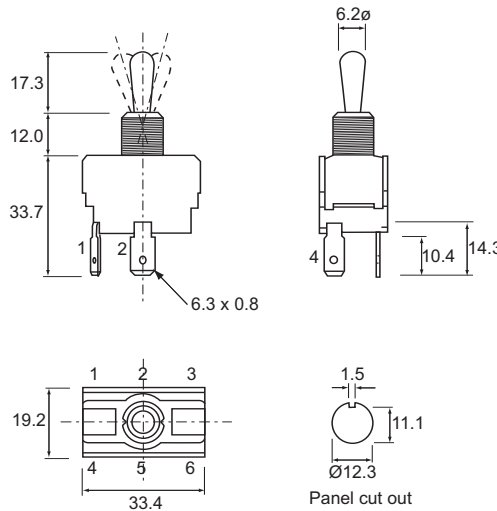
Part No 0-645-00

Off/A/A+B, three position side and head lamp single pole switch, with nickel plated brass lever and 6.3mm blade terminals. 13mm panel hole. 10 amps at 28 volts dc rating.



TERMS	0	1	2
A-B		█	
A-C			█

Technical Drawing (not to scale)



Specification

Type	Single pole 3 position off/A/A+B toggle switch
DC resistive rating @ 28 volts	10 amps
AC resistive rating	10 amps @ 250 volt, 15 amps @ 125 volt
AC inductive contact rating	4 amps @ 250 volt
Electrical life	50,000 cycles minimum at maximum rating
Mechanical life	100,000 cycles minimum
Contact material	Fixed, silver on copper. Moving, silver alloy on copper
Terminals	Brass 6.3mm lucar blaade
Base material	Nylon
Actuators and finish	Bright nickel plated brass lever
Temperature range	Operating, 0°C to +85°C. Storage, -40°C to +85°C
Contact resistance	10mΩ maximum @ 4 volts dc and 1 amp
Electric strength	0.75kV across contacts and 2kV live to accessible surfaces.
Insulation resistance	>50MΩ
Mounting	Threaded bush, 15/32 Witworth, secured front and behind the panel by fixing nuts and ring.
Weight	40g
Dimensions	I 33.4 x w 19.2 x h 63mm (including level and tabs)

The information contained in this document is correct to the best of our knowledge at the time of printing. However, specifications may change at any time without notice.

Gordon Equipments Limited

Durite Works
Valley Road
Dovercourt
Essex CO12 4RX
England



Tel: +44 (0)1255 555200
Fax: +44 (0)1255 555222
E-mail: sales@durite.co.uk
Web: www.durite.co.uk

Registered in England at address shown No. 373113
The words 'Gordon', 'Durite', 'Nolten' and 'Acfil' are registered trade marks